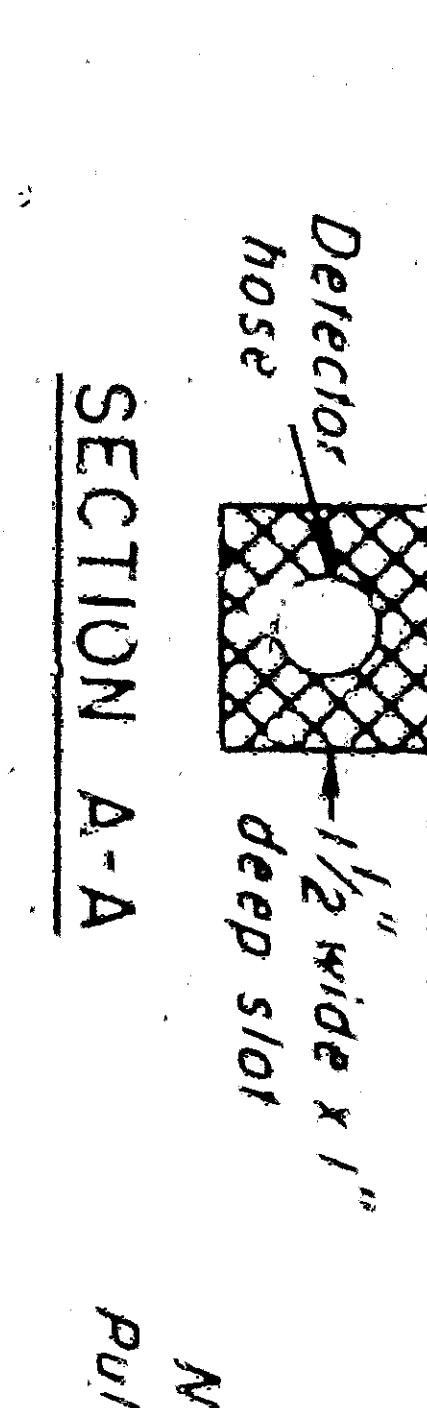
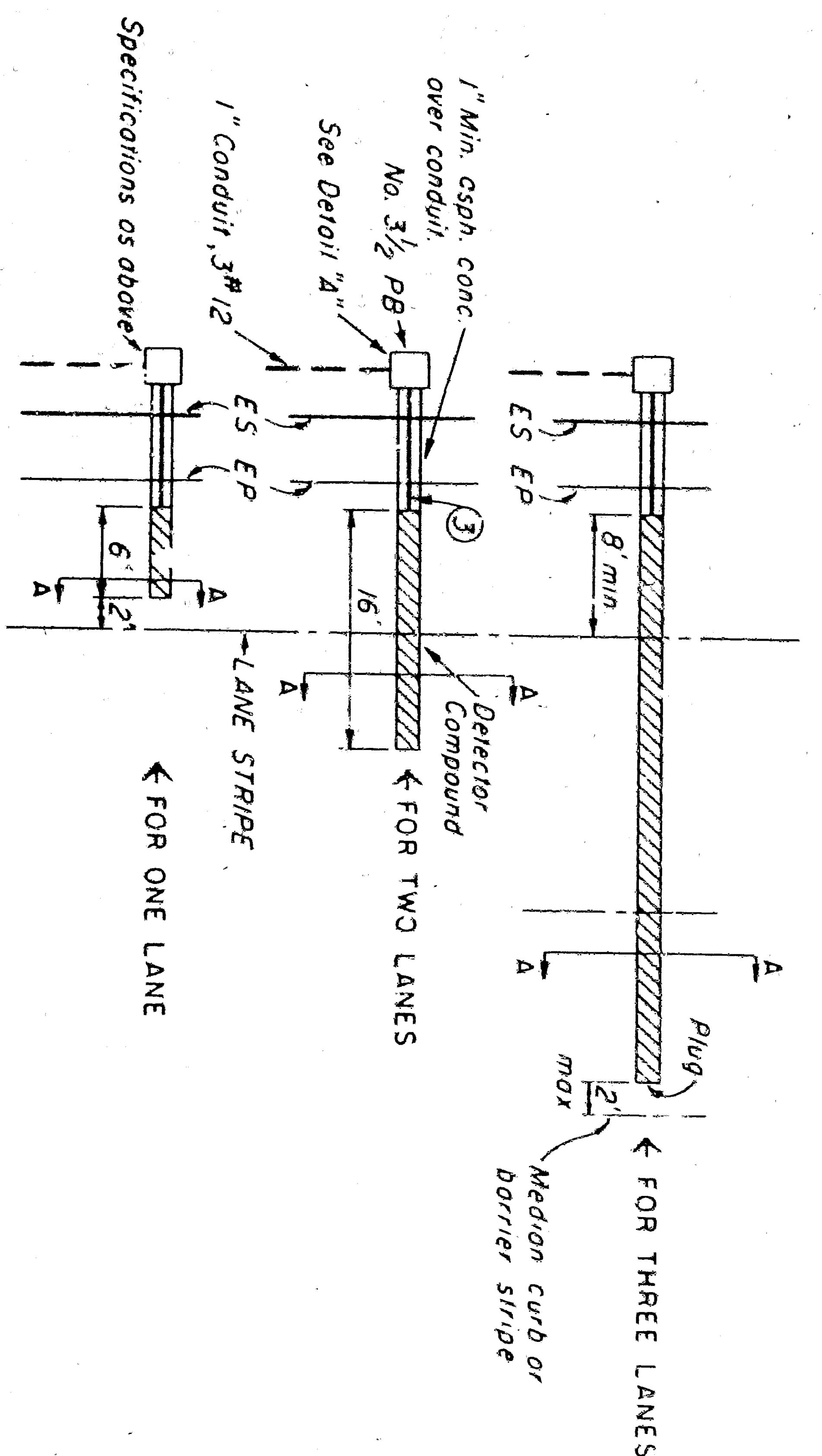


Detector compound
(Crown 1/8" above
pavement)



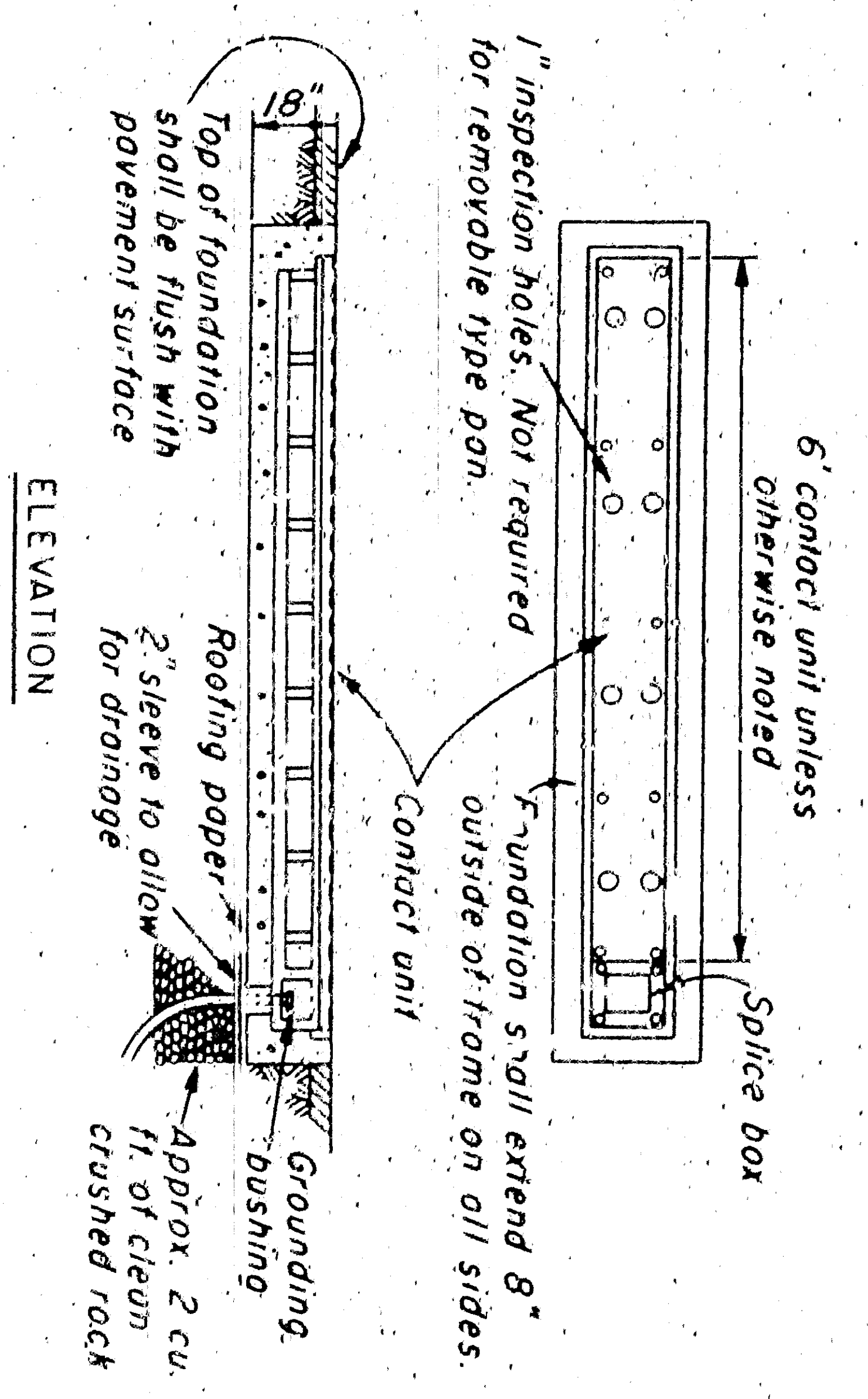
Detail "A"



- ① Transducer and amplifier attached to metal stake with nose
outlet down.
- ② Rubber hose from transducer spliced to 1/4" I.D. 3/32"
wall, neoprene tubing by means of 1/4" serrated hose connector.
- ③ Neoprene tubing (a length required) run continuous through
3/4" conduit and through detector compound.
- ④ Seal conduit ends.

IMPACT DETECTOR

(For installation instructions see special provisions)

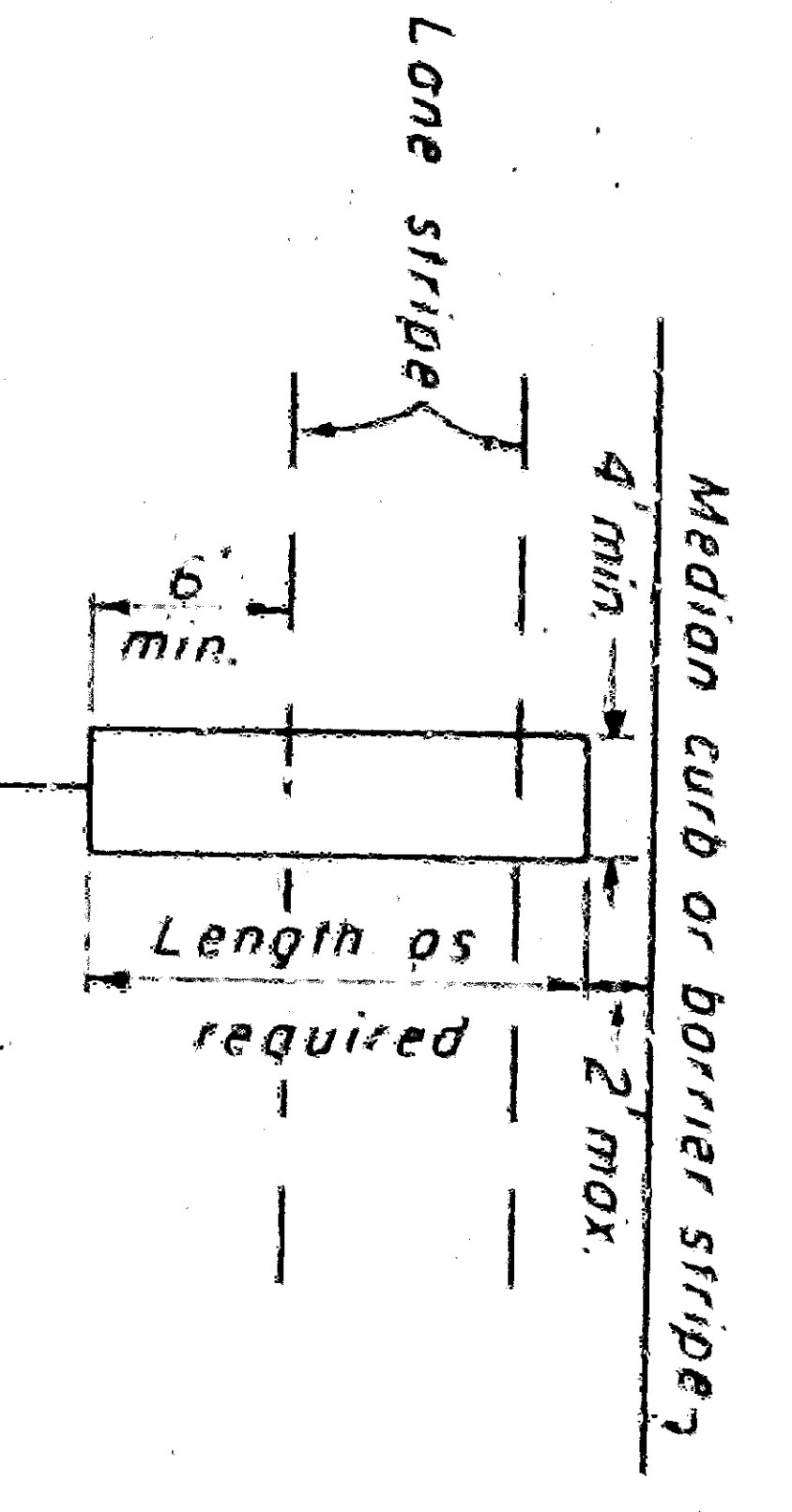


Installation Notes:

1. Detector position dimensions refer to contact unit.
2. Concrete under removable contact unit mounting pan shall
be finished flush with top of pan supporting angles.
3. Detector contact unit surface shall be flush with rim of
pan. Spacing of no more than 1/8" higher, if low, unit shall
be spaced using precast, galvanized, steel metal shims
with dimensions the same as the bottom surface of the
contact unit.
4. Screw threads shall be coated with anti-seize compound.
All screws shall be tightened securely.

PRESSURE SENSITIVE DETECTOR

TYPICAL THRU LANE INSTALLATION

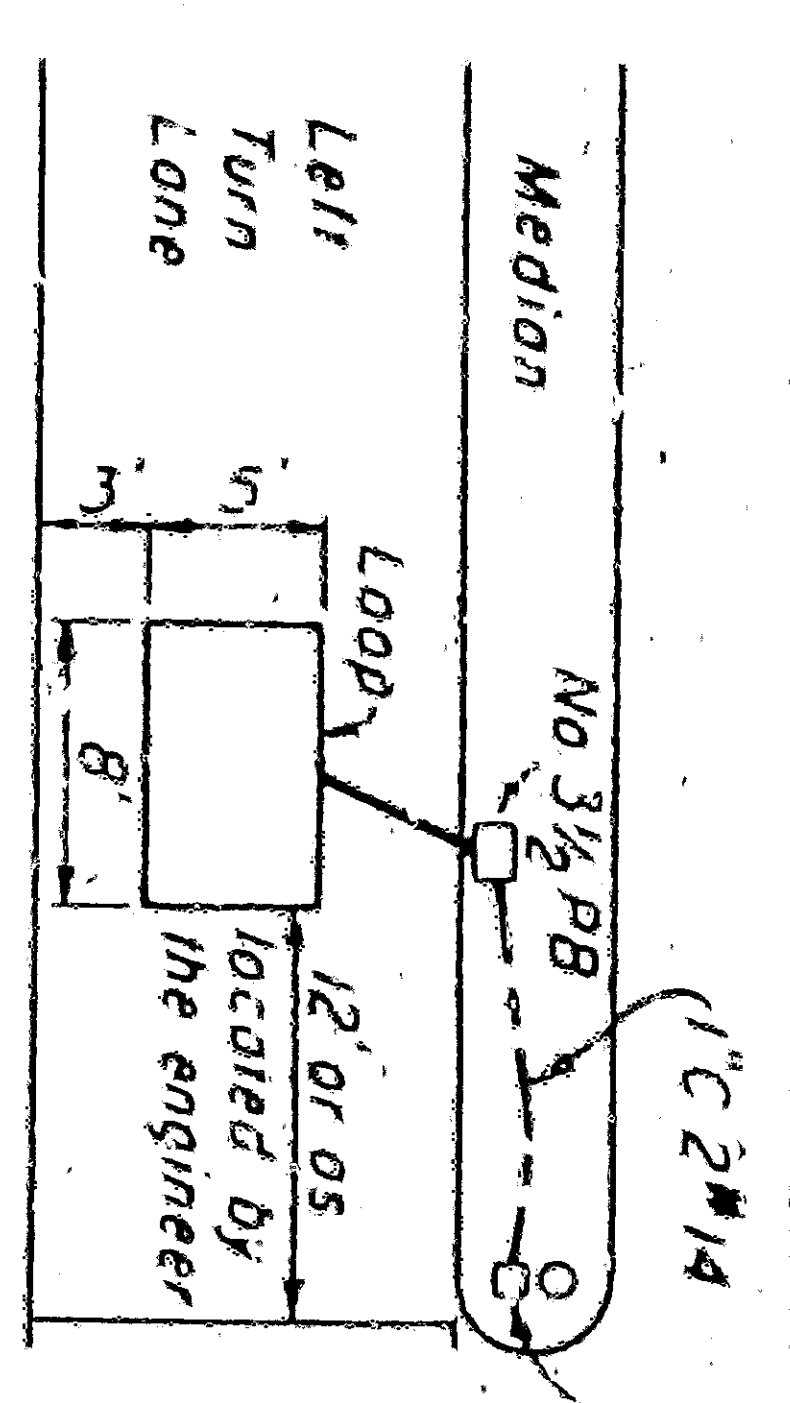


INDUCTIVE LOOP DETECTOR

Installation Notes:

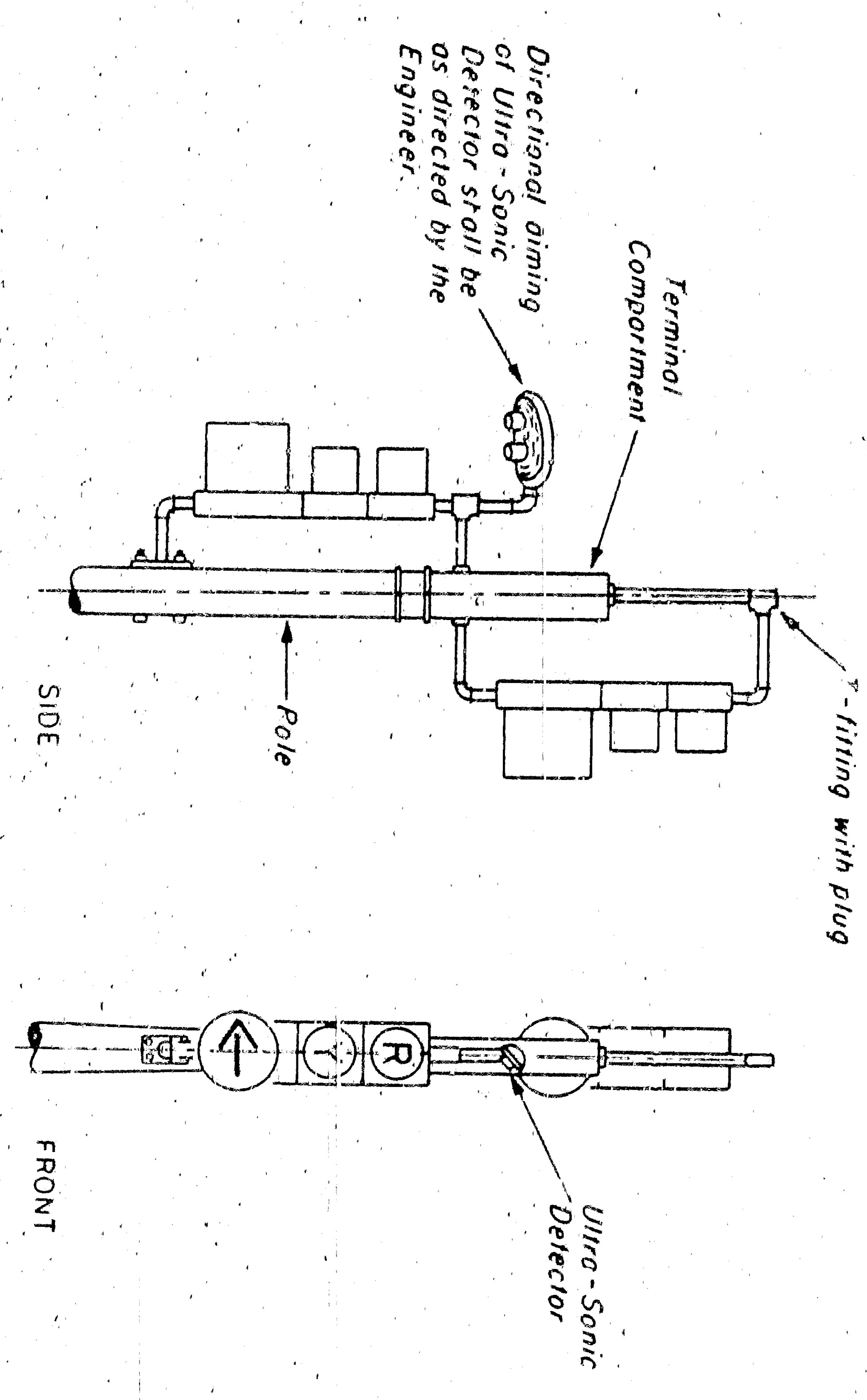
1. Saw groove in pavement for loop as shown.
2. Install loop in accordance with manufacturer's recommendations.
3. Place 1/2" conduit in sawed channel in pavement and run into
pull box, inserting conductors from loop in conduit as it is being
placed.
4. Splice conductors from loop to 2#14 TW conductors through
1" conduit to sensor unit.
5. Backfill groove and channel with material approved by the
Engineer.

TYPICAL LEFT TURN LANE INSTALLATION

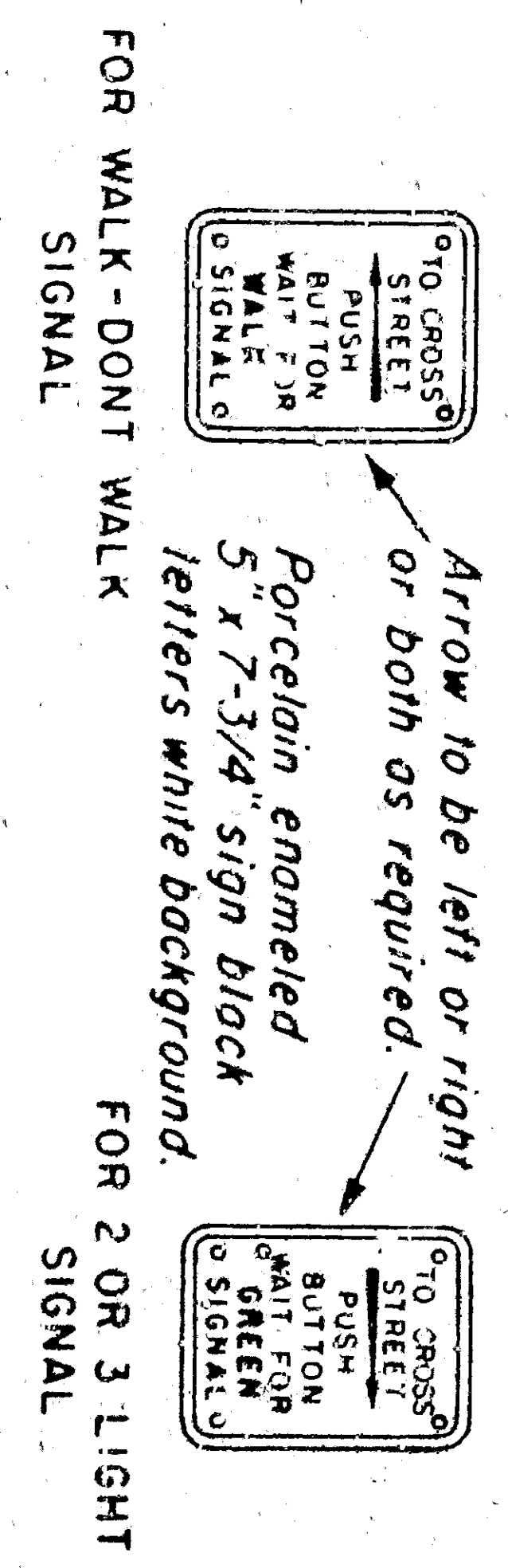
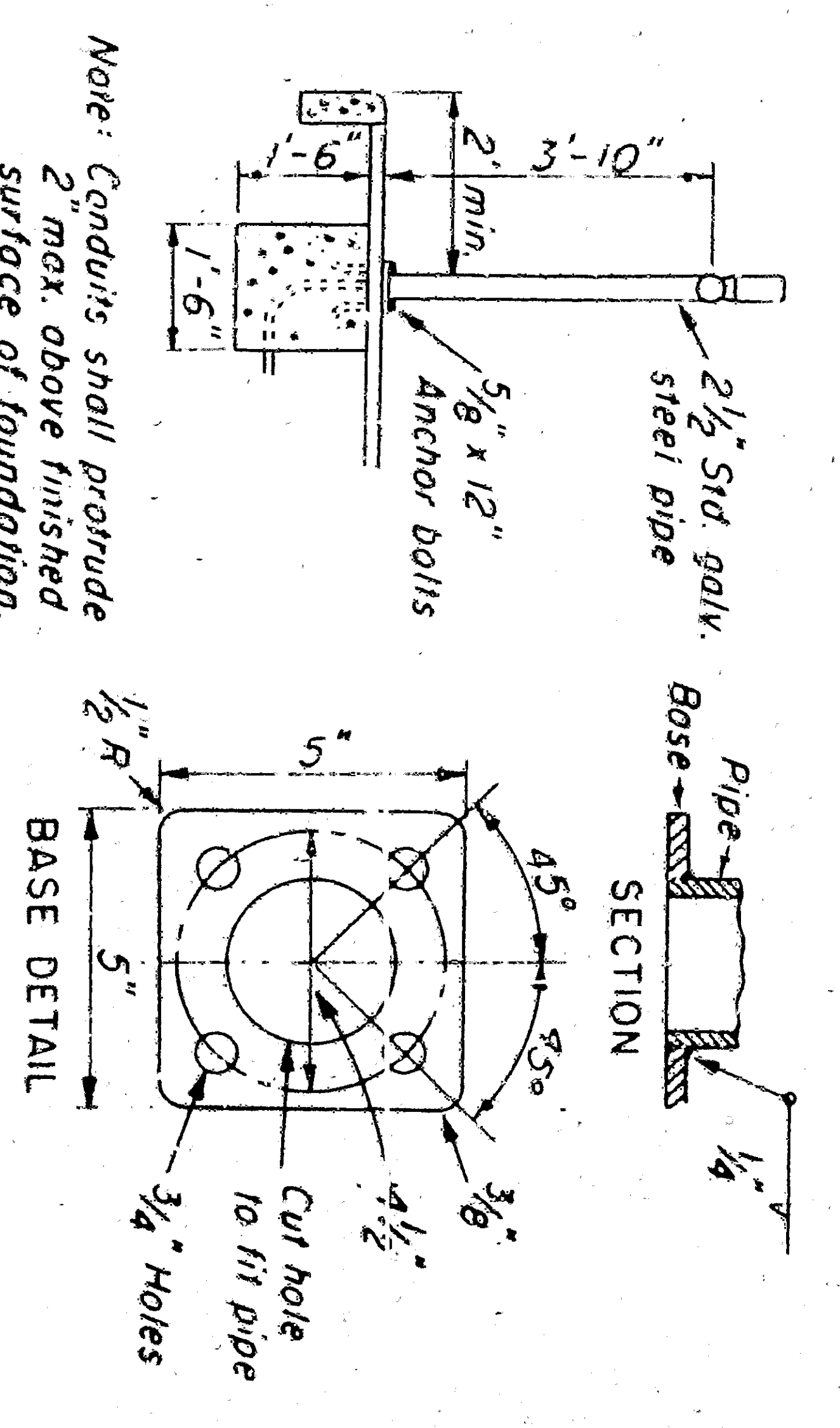


TYPICAL LEFT TURN LANE INSTALLATION

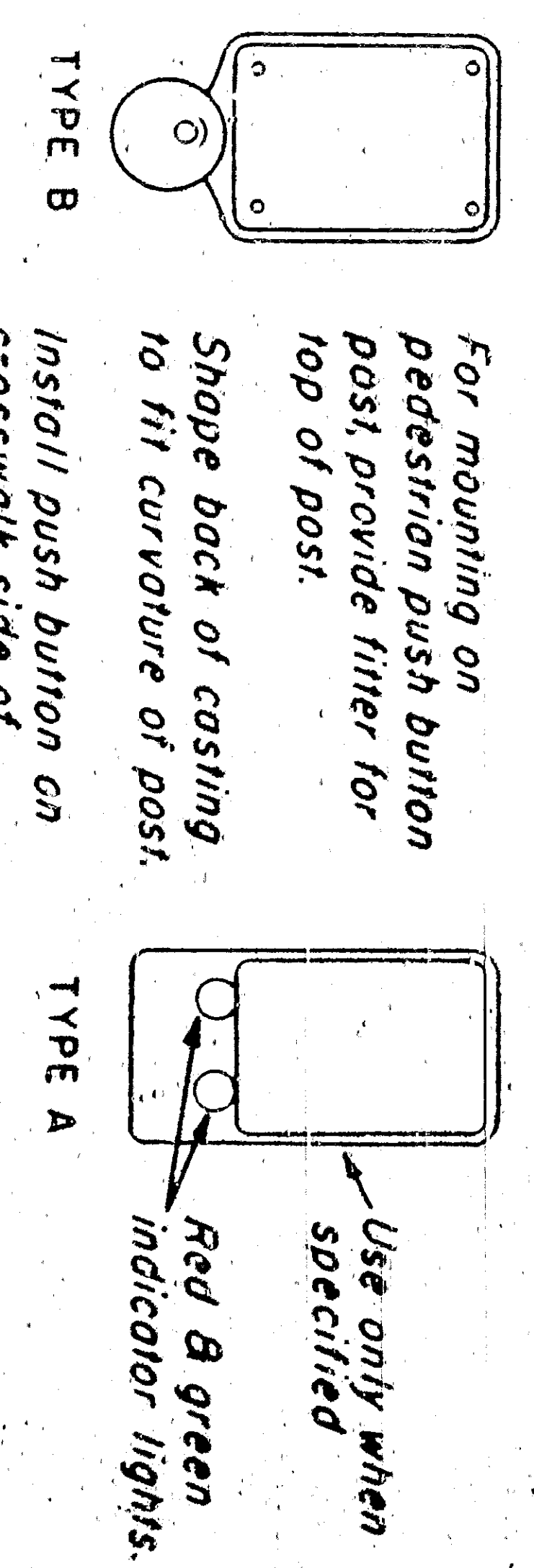
ULTRA-SONIC DETECTOR



PEDESTRIAN PUSH BUTTON POST



SIGNS



PEDESTRIAN PUSH BUTTON & SIGN

VEHICLE DETECTORS

110 0001	STATE	PROJ. NO.	SECTION	SHEET NO.	TOTAL SHEETS
110 0001	STATE	PROJ. NO.	SECTION	SHEET NO.	TOTAL SHEETS
110 0001	STATE	PROJ. NO.	SECTION	SHEET NO.	TOTAL SHEETS
110 0001	STATE	PROJ. NO.	SECTION	SHEET NO.	TOTAL SHEETS

STATE OF CALIFORNIA
DEPARTMENT OF PUBLIC WORKS
DIVISION OF HIGHWAYS

STANDARD DETAILS NO. 3B
TRAFFIC SIGNAL AND HIGHWAY
LIGHTING INSTALLATIONS

SCALE AS NOTED DRAWING NO. E-
Revised

Drawing No. 3441, Sheet 6 of 7, Sheet 1, ES-3B-1